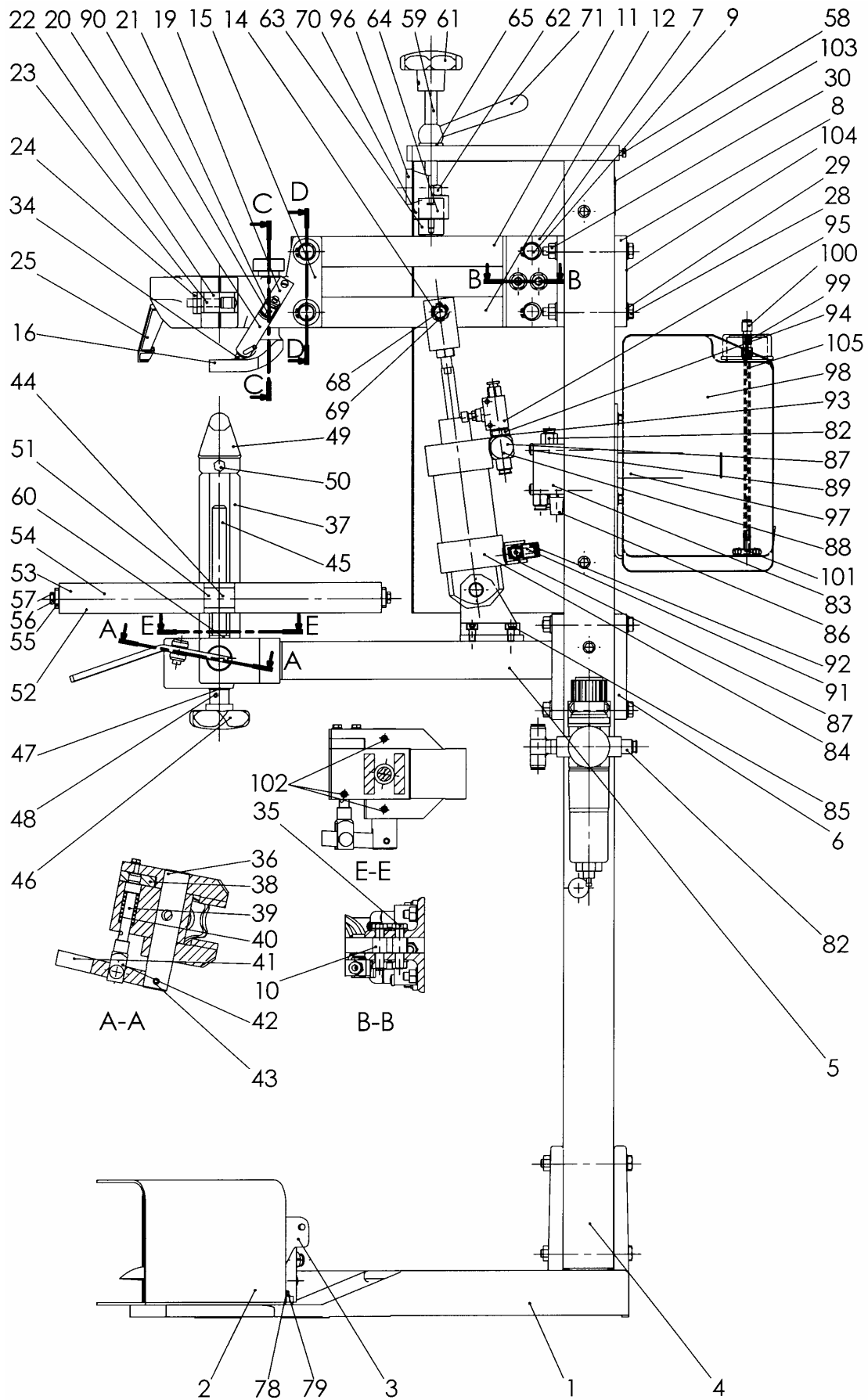
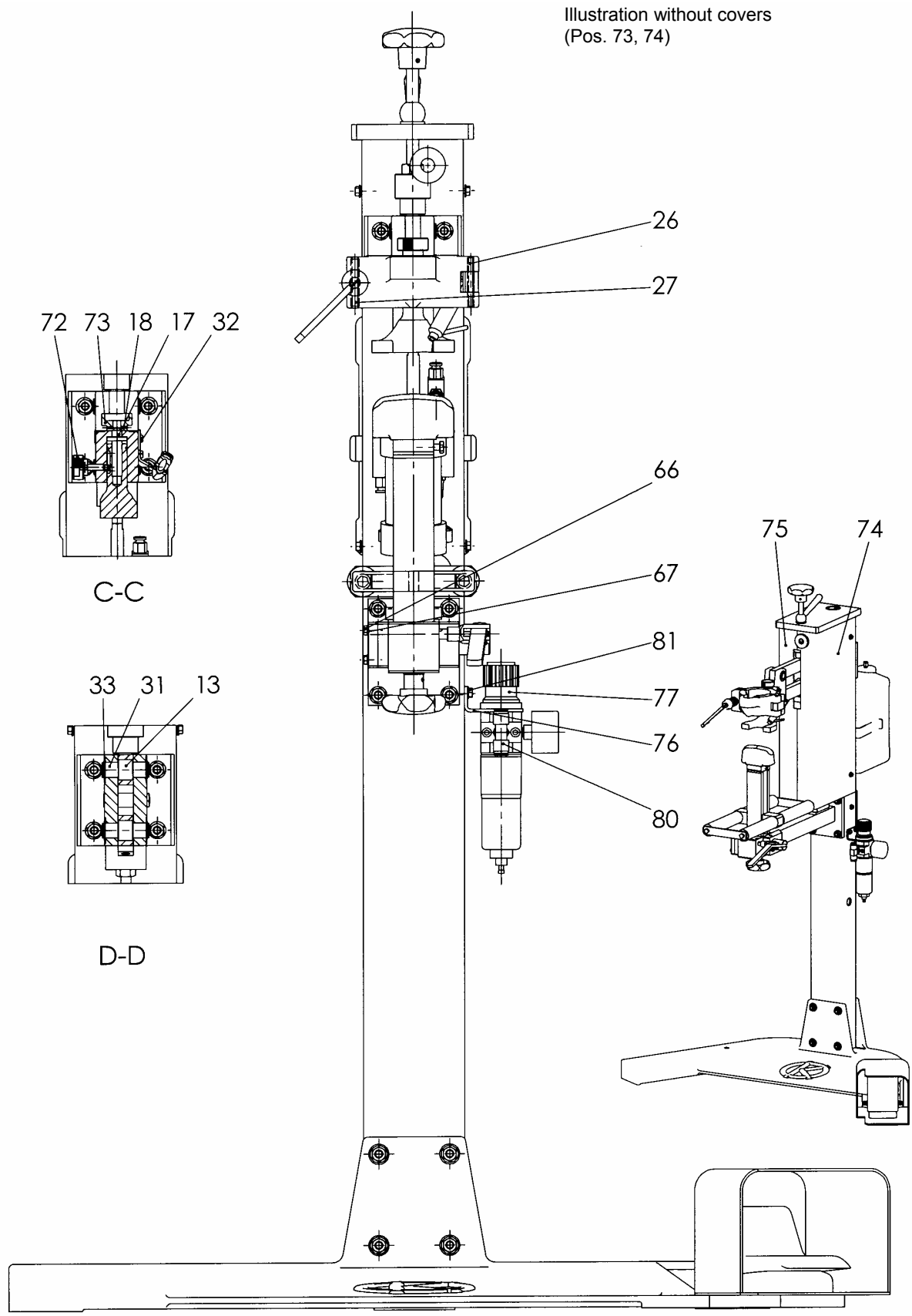


Illustration without cover
(Pos. 73)





Item.	OKU-Id.-No.	Quantity	Designation
1	00570058	1	Foot
2	35035558	1	Protection cover
3	00025600	1	Foot valve
4	35104975	1	Pillar
5	00305008	1	Supporting arm
6	00350741	1	Plate
7	00350778	2	Angle
8	00350742	1	Plate
9	00350802	2	Bolt
10	00350752	2	Sleeve
11	00470191	1	Guide
12	00470192	1	Guide
13	00003792	4	Cylinder bearing
14	00003774	1	Cylinder bearing
15	00571665	1	Holder
16	00470186	1	Stop
17	00350761	1	Bolt
18	00000588	1	Spring-type straight pins
19	00350805	1	Angle
20	00250132	1	Spray nozzle holder
21	00031536	3	Foot valve
22	00350745	1	Strip
23	00350743	1	Eye screw
24	00004125	2	Washer
25	00034668	1	Clamping lever
26	00000608	2	Spring-type straight pins
27	00004084	1	Spring-type straight pins
28	00000200	12	Hexagon screw
29	00000678	28	Washer
30	00000630	14	Hexagon nut
31	00350765	2	Bolt
32	00000056	2	Cap screw
33	00000810	8	Retaining ring
34	00351873	1	Spray nozzle
35	00000151	2	Hexagon screw
36	00350799	1	Bolt
37	00265086	1	Support
38	00350755	1	Plate
39	00350777	1	Ratchet pin
40	00350746	1	Compression spring

Item.	OKU-Id.-No.	Quantity	Designation
41	00350739	1	Lever
42	00003752	1	Fork joint
43	00004085	1	Spring-type straight pins
44	00350798	1	Bolt
45	00470195	1	Spindle
46	00353343	1	Star grip
47	00003721	3	Disc spring
48	00000590	2	Spring-type straight pins
49	00350793	1	Tyre shoe
50	00000119	1	Hexagon screw
51	00350808	2	Holding piece
52	00350756	4	Roller
53	00004522	8	Bush
54	00350768	2	Axle
55	00350749	2	Bar
56	00000663	4	Safety Washer
57	00000114	4	Hexagon screw
58	00000125	1	Hexagon screw
59	00350775	1	Spindle
60	00000688	1	Washer
61	00358479	1	Star grip
62	00000640	1	Hexagon nut
63	00350760	1	Stop
64	00003769	1	Buffer
65	00000680	1	Washer
66	00004097	2	Hexagon screw
67	00000676	2	Washer
68	00350762	1	Bolt
69	00000808	2	Retaining ring
70	35104066	1	Sleeve
71	00003692	1	Tapered handle
72	00003190	1	Clamping screw
73	00004090	1	Knurled nut
74	00470183	1	Cover
75	00470184	1	Cover
76	00032628	1	Fastening bracket
77	00034678	1	Filter regulator
78	00000126	2	Hexagon screw
79	00000677	2	Washer
80	00031555	1	Screw coupling

Item.	OKU-Id.-No.	Quantity	Designation
81	00004101	9	Hexagon screw
82	00031539	7	Screw coupling
83	00003983	1	Valve
84	00353729	1	Pneumatic cylinder
85	00000216	4	Cap screw
86	00003947	1	Sound absorber
87	00003905	2	Screw coupling
88	00003943	1	Screw coupling
89	00004103	2	Screw
90	00003936	2	Sealing ring
91	00031546	1	Screw coupling
92	00031547	1	Screw coupling
93	00004001	6	Sealing ring

Item.	OKU-Id.-No.	Quantity	Designation
94	00003964	1	Screw coupling
95	00003976	1	Throttle relief valve
96	00005966	1	Grommet
97	35035559	1	Holder
98	00034677	1	Water tank
99	00021718	1	Screw coupling
100	00031535	2	Screw coupling
101	00004113	1	Valve
102	00004054	3	Lubricator
103	00419768	1	Type plate
104	00009123	1	CE-sign
105	00468313	1	Water hose

Representant för OKU i Sverige



Inprotec Automation AB
Flöjelbergsgatan 8B
431 37 Mölndal

Telefon: 031-761 67 00
www.inprotec.se

Kontaktpersoner försäljning och reservdelar

Peter Fellsner
Telefon: 031-761 01 10
Mobil: 0707- 80 28 40

John Carlson
Telefon: 031-761 01 20
Mobil: 0707- 80 28 20