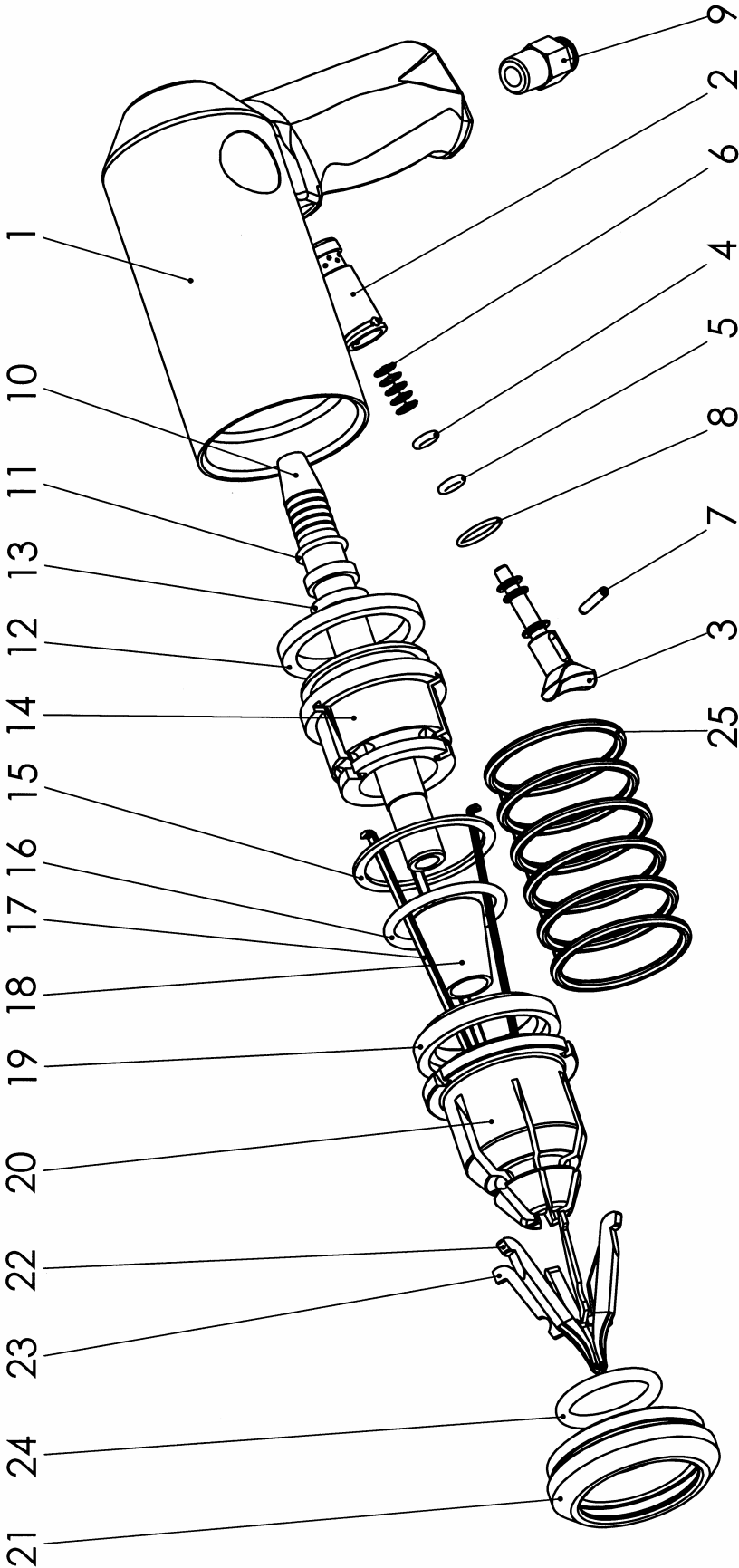


Exploded drawing AS-8



Spare parts list AS-8

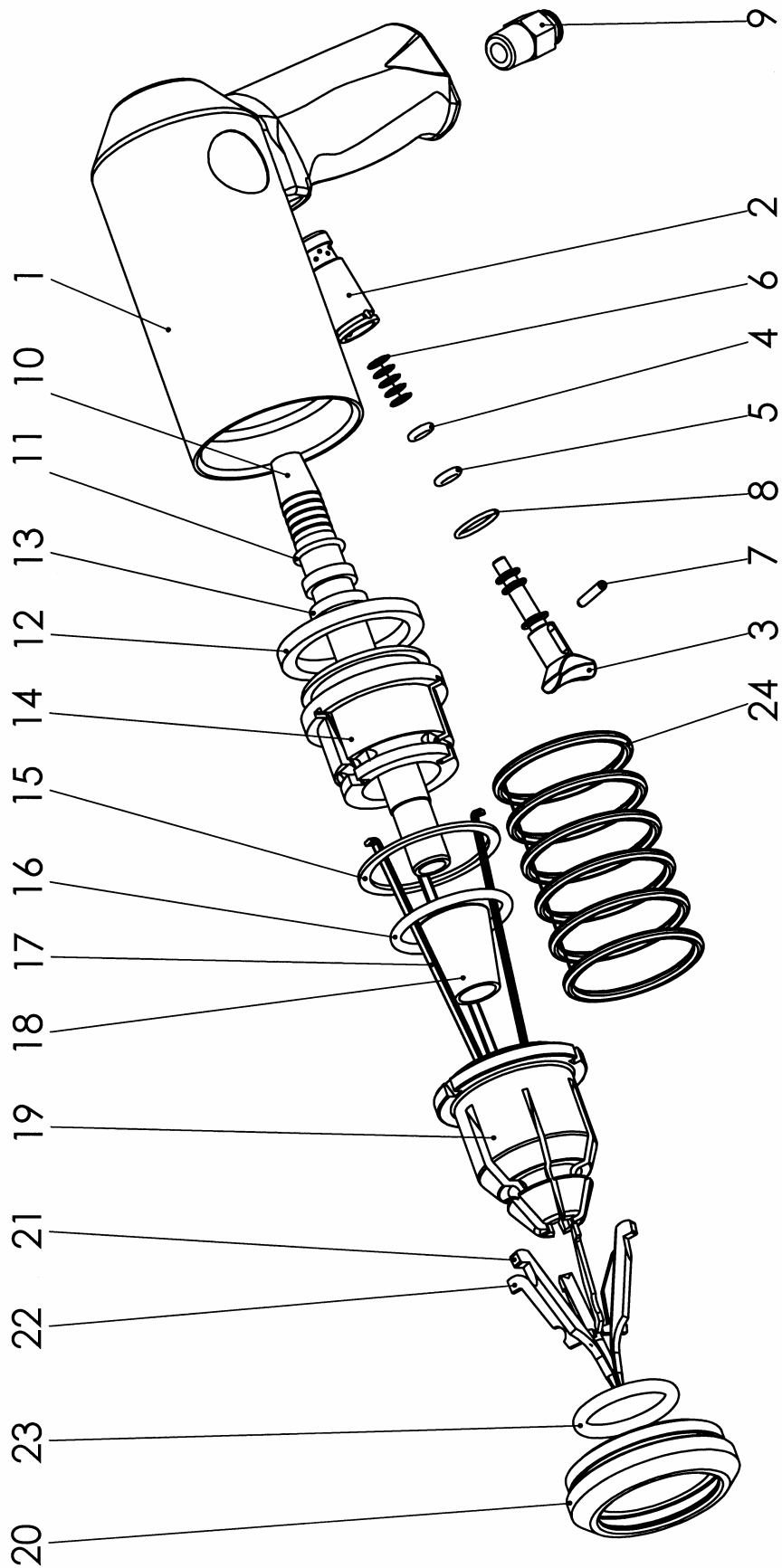
Item	OKU-ID.-No.	Qty	Designation
1	00570045	1	Hand grip
2	00350728	1	Bushing
3	00470092	1	Trigger for manual use
	00470093	1	Trigger for machine use
4	00003463	1	O-Ring
5	00003404	1	O-Ring
6	00350297	1	Compression spring
7	00000536	1	Dowel pin
8	00003464	1	O-Ring *
9	00031539	1	Coupling
10	00470084	1	Feeding tube 8,3
11	00003412	1	O-Ring
12	00003507	1	Lip seal
13	00003508	1	Lip seal
14	00470082	1	Piston
15	00350299	1	Washer
16	00003465	1	O-Ring *
17	00470083	3	Insertion pin *
18	00350292	1	Bushing
19	00350733	1	Spacer ring for manual use
	00350734	1	Spacer ring for machine use
20	00470088	1	Head 8
21	00350294	1	Lock nut
22	00470180	3	Special designed spreader fingers *
23	00350295	3	Separating finger
24	00417280	1	Spring lock D=21 *
25	00350298	1	Compression Spring

00885027	1	corrosion preventive-oil, aerosol can 100 ml (single) *
00885028	1	grease, tube 20 g (single) *
20015510	1	1 aerosol can corrosion preventive-oil (100 ml) and 1 tube grease (20 g) as maintenance-set

To the gun there is available a spare parts-set including the most important wear parts. It contains all in the spare parts list with * marked parts inclusive grease and corrosion preventive-oil-spray.

OKU-Id.-No. spare parts-set **AS-8:** **20015501**

Exploded drawing AS-9



Spare parts list AS-9

Item	OKU-ID.-No.	Qty	Designation
1	00570045	1	Hand grip
2	00350728	1	Bushing
3	00470092	1	Trigger for manual use
	00470093	1	Trigger for machine use
4	00003463	1	O-Ring
5	00003404	1	O-Ring
6	00350297	1	Compression spring
7	00000536	1	Dowel pin
8	00003464	1	O-Ring *
9	00031539	1	Coupling
10	00470085	1	Feeding tube 8,3
11	00003412	1	O-Ring
12	00003507	1	Lip seal
13	00003508	1	Lip seal
14	00470082	1	Piston
15	00350299	1	Washer
16	00003465	1	O-Ring *
17	00470083	3	Insertion pin *
18	00350292	1	Bushing
19	00470089	1	Head 9
20	00350294	1	Lock nut
21	00485167	3	Spreader fingers *
22	00350295	3	Separating finger
23	00417280	1	Spring lock D=21 *
24	00350298	1	Compression Spring
(25)	00350732	1	Spacer ring for machine use

00885027	1	corrosion preventive-oil, aerosol can 100 ml (single) *
00885028	1	grease, tube 20 g (single) *
20015510	1	1 aerosol can corrosion preventive-oil (100 ml) and 1 tube grease (20 g) as maintenance-set

OKU-Id.-No. spare parts-set **AS-9**: **20015502**

* = included in the spare parts-set

Representant för OKU i Sverige



Inprotec Automation AB
Flöjelbergsgatan 8B
431 37 Mölndal

Telefon: 031-761 67 00
www.inprotec.se

Kontaktpersoner försäljning och reservdelar

Peter Fellsner
Telefon: 031-761 01 10
Mobil: 0707- 80 28 40

John Carlson
Telefon: 031-761 01 20
Mobil: 0707- 80 28 20